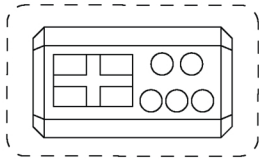
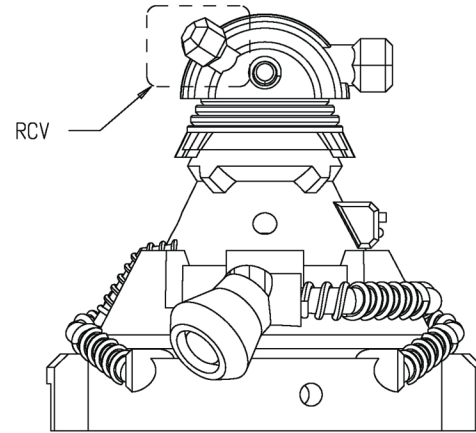
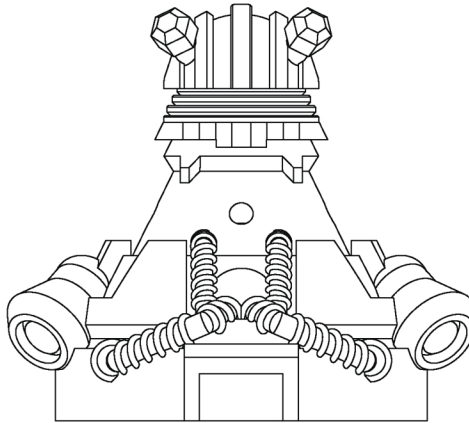
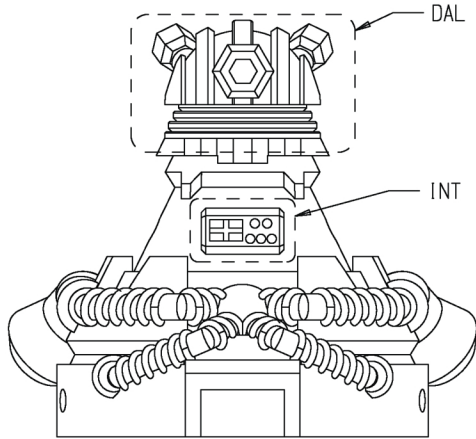
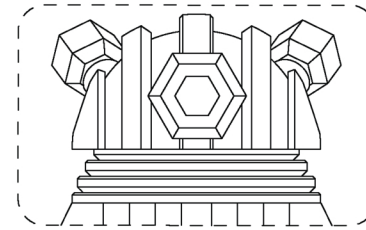
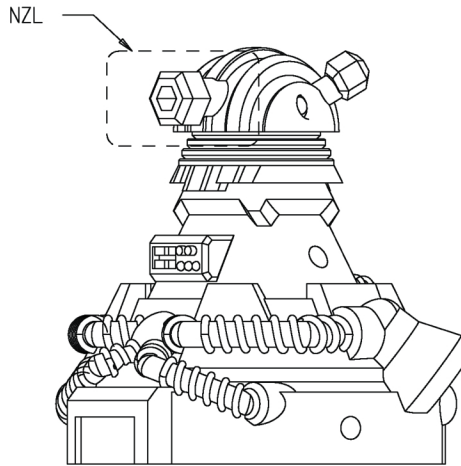


1 2 3 4 5 6 7 8 9 10 11 12

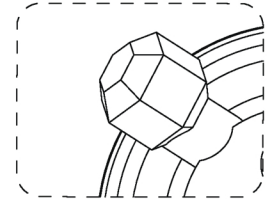
| REVISIONS | | | | |
|-----------|-----|-------------|-------|------------|
| ZONE | REV | DESCRIPTION | DATE | APPROVED |
| 1 | 1 | DALENDURE | 11E14 | ENG. TRBRG |



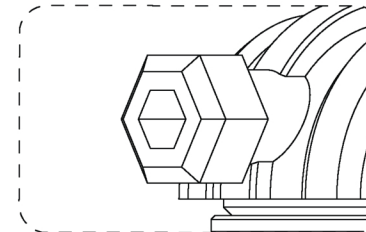
MTB INTERFACE
6:1



DALENDURE MODULE
4:1



DALENDURE RECEIVER
6:1



ANTI-GRAV NOZZLE
6:1



NOTES

1. INSTALL DALENDURE MODULE WITH MECHA TREEBORG BASE.
2. SONIC WELD DALENDURE MODULE TO MECHA TREEBORG BASE. PREPARE FOR DATA SYNC.
3. SYNC DALENDURE WITH MECHA TREEBORG INTERFACE. RUN DIAGNOSTICS TO ENSURE TOTAL IMERSION WITH MTB CONTROL.
4. INSTALL MTB BYPASS CHIP. SHIP TO GENERAL SAPLORR FOR INSPECTION.

| | | | | |
|-----------------------------|---------------|-----------------------|------------------------|----------|
| DESIGNER GENERAL ASTRYUN | SIZE A | CAGE CODE 001 | DWG NO. DALENDURE | REV A |
| APPROVED ENG. TRBRG | SCALE 1/30 | RELEASE DATE 02E14 | METRIC SHEET 1 OF 1 | |

1 2 3 4 5 6 7 8 9 10 11 12