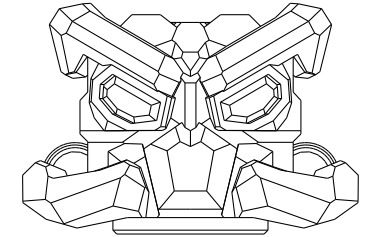
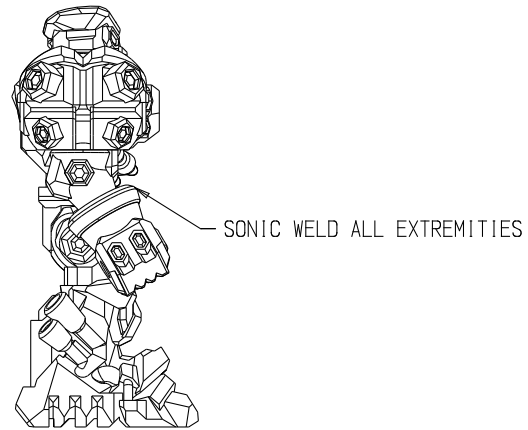
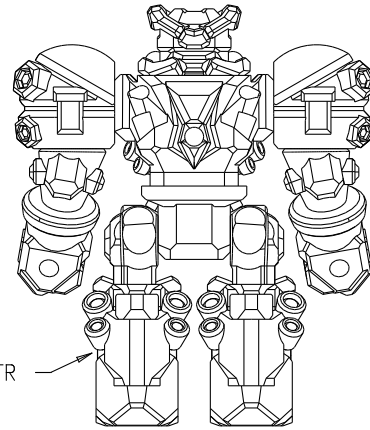
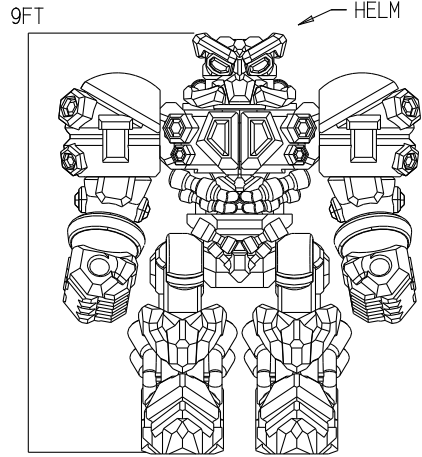


1 2 3 4 5 6 7 8 9 10 11 12

A

REVISIONS				
ZONE	REV	DESCRIPTION	DATE	APPROVED
1	1	RELEASE MECHA ACRIS PROTO SUIT	12E08	ENG.ACRITE
1	2	RELEASE MECHA ACRIS 2.0 SUIT	12E09	ENG.ACRITE

A



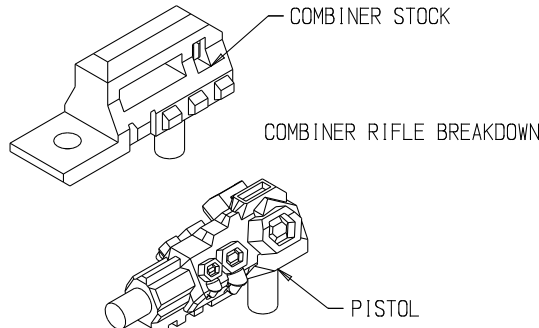
B

C

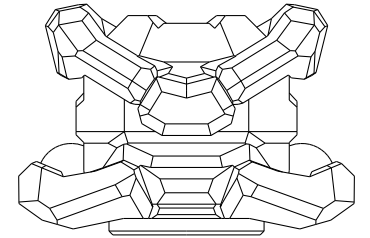
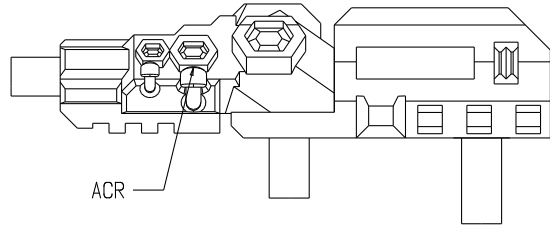
C

D

D



COMBINER ASSEMBLY



E

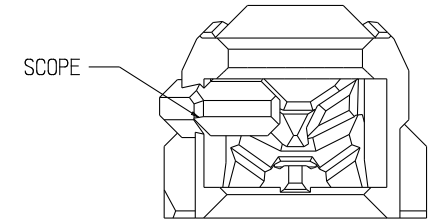
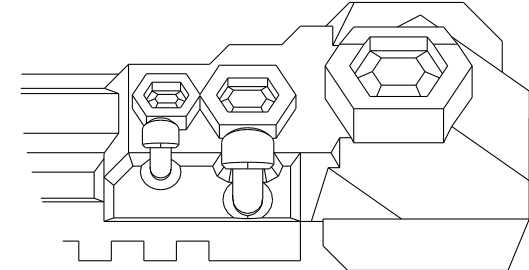
E

F

F



1. ALL PARTS TO BE CLEANED PRIOR TO ASSEMBLY
2. VERIFY ALL ACRODES ARE FULLY CHARGED BEFORE INSTALL
3. SONIC WELD ALL EXTREMITIES
4. AFTER FIELD TEST, APPLY ACROTECH UPDATES



G

G

H

H

DESIGNER	ACRIS	SIZE	A	CAGE CODE	001	DWG NO	MECHA ACRIS 2.0	REV	2
APPROVED	ENG.ACRITE	SCALE	3/30	RELEASE DATE	12E09	WEIGHT	3000.LBS	SHEET	1 OF 1

1 2 3 4 5 6 7 8 9 10 11 12