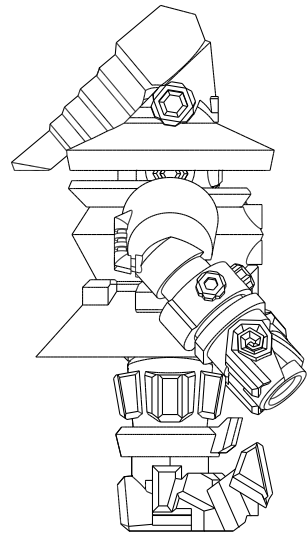
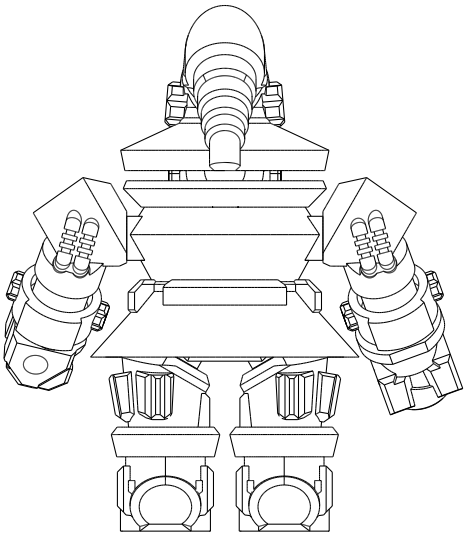
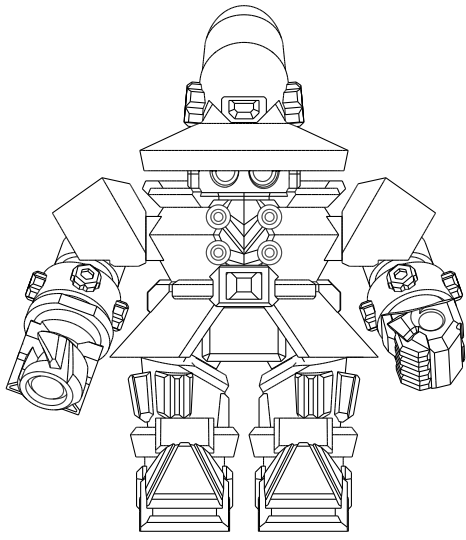


1 2 3 4 5 6 7 8 9 10 11 12

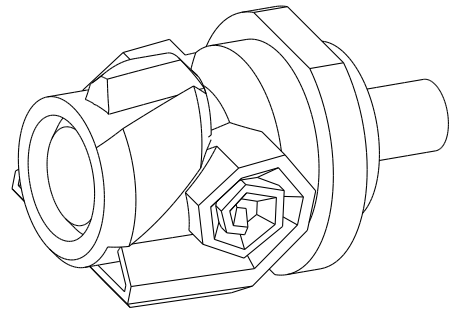
A

REVISIONS				
ZONE	REV	DESCRIPTION	DATE	APPROVED
1	1	RELEASE VYVOCREE SOLDIER	14E09	ENG.ACRITE

A



VYVOCREE BLASTER



B

B

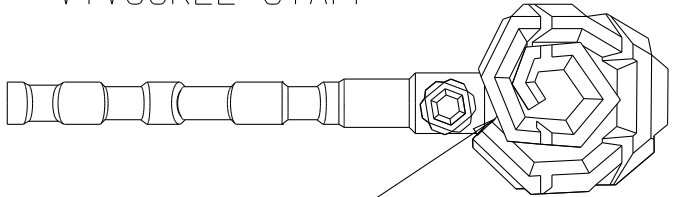
C

C

D

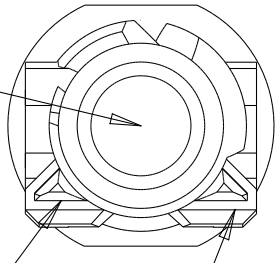
D

VYVOCREE STAFF



EQUIPPED WITH SYNTHETIC MAGIC

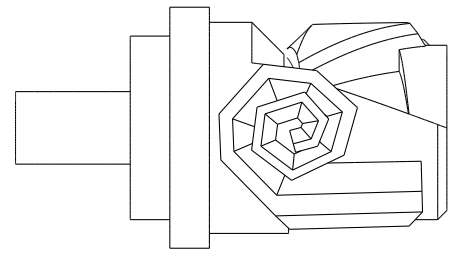
MAIN CANNON



E

E

UNDER CANNONS



F

F



NOTES

1. ALL PARTS TO BE CLEANED PRIOR TO ASSEMBLY
2. ALL SYNTHETIC MAGIC INSTALLED AND CHARGED
3. SONIC WELD ALL EXTREMITIES
4. AFTER FIELD TEST, APPLY ACROTECH UPDATES

G

G

H

H

DESIGNER	ACRIS	SIZE	A	CAGE CODE	009	ENG NO	VYVOCREE SOLDIER	REV	1
APPROVED	ENG.ACRITE	SCALE	1/30	RELEASE DATE	14E09	WEIGHT	UNABLE	SHEET	1 OF 1

1 2 3 4 5 6 7 8 9 10 11 12